



The PT-100 is ASV's largest, most powerful rubber track loader. It features a suspended undercarriage with wide rubber tracks for productive operation, even in the worst ground conditions. A powerful high-flow auxiliary hydraulic system and a high capacity cooling system lets you tackle tough, demanding jobs all day long. The PT-100 includes a comfortable operator station, ergonomic joysticks and a load-sensing hydraulic system.





## **PT-100** **RUBBER TRACK** **LOADER**

For large jobs where the work is demanding, there is no substitute for a powerful machine that can stay productive in the widest range of ground conditions. That's why the PT-100 is the industry standard for construction, excavation and brushcutting contractors worldwide.

The PT-100 is ASV's most powerful rubber track loader, with 99.5 horsepower (74 kW) and 304 ft/lb (412 Nm) of torque. High torque lets the PT-100 breeze through demanding work that other machines can't handle. To keep it running, even in hot, humid climates, the PT-100 uses a high capacity cooling system.

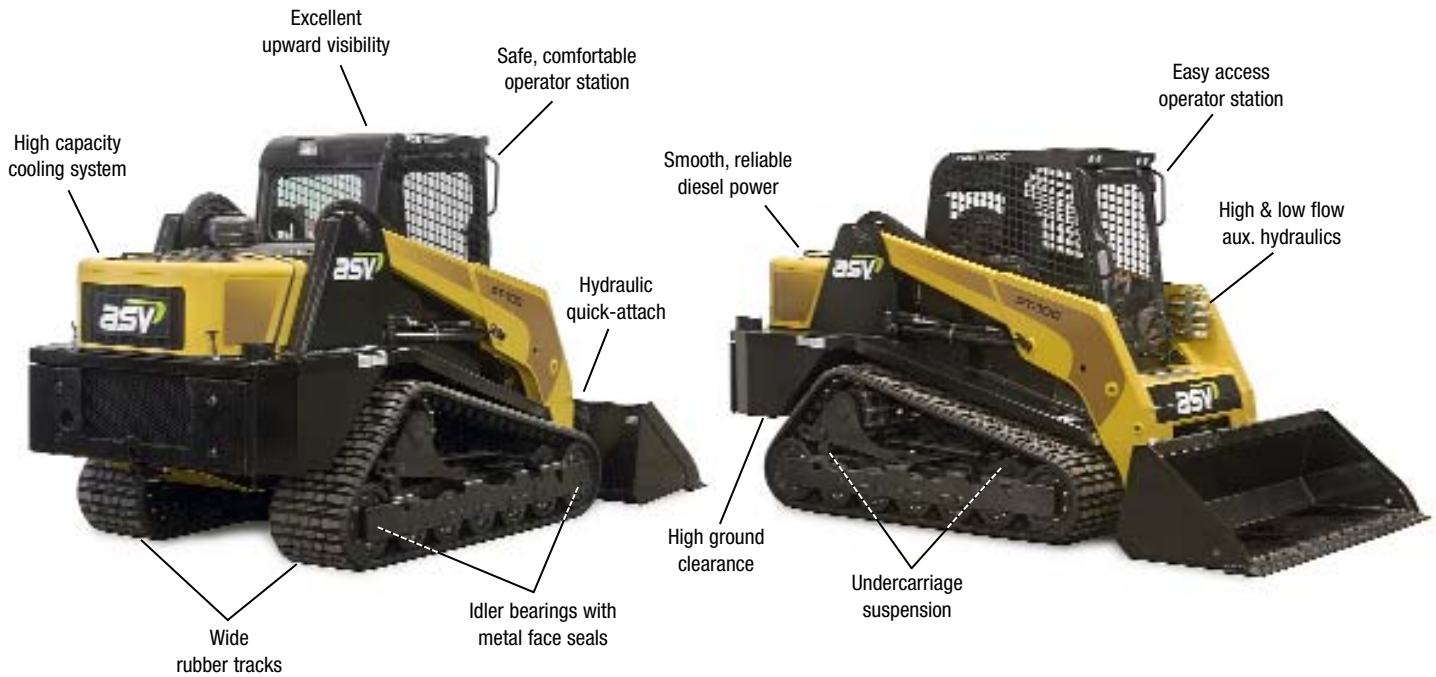
The PT-100's undercarriage uses 42 wheels to spread the machine's weight over the length and width of its rubber tracks. By using a maximum number of wheels, the weight per wheel is lower, track life is longer and you get ASV's legendary traction that makes them the best in the industry. Suspension of the undercarriage increases traction even more, promotes longer machine and track life, and keeps the operator comfortable all day long. This

patented technology lets the PT-100 stay productive in virtually any ground condition.

The PT-100 uses a time-proven hydrostatic powertrain that includes direct drive motors and unique track drive sprockets. Rotating sleeves on the sprockets mesh with the tracks' rubber lugs for highly efficient and smooth transfer of power to the tracks. Two-speed drive motors let the operator select low speed for aggressive digging and high speed for faster travel.

The standard auxiliary hydraulic system on the PT-100 offers intermittent or continuous low flow and continuous high flow. An advanced load-sensing hydraulic system gives the PT-100 about 10 percent more hydraulic power than other systems, making it the ideal platform for demanding jobs like brushcutting, mulching - even pavement milling.

Standard equipment includes quick-connect hydraulic fittings and a pre-wired electric connector for control of attachments. A hydraulic quick-attach makes connection to attachments fast and easy.



The PT-100 is easy and comfortable to operate. It can be outfitted with a choice of enclosed cabs that can include air conditioning and/or heat for operating in inclement weather. Pilot-operated joysticks give the operator low-effort and precise control of machine speed, direction and of the attachment.

A custom-designed Forestry Guard Package is available for the PT-100 that includes everything needed to put the PT-100 into the deepest woods for rugged, productive work.



Forestry Guard Package

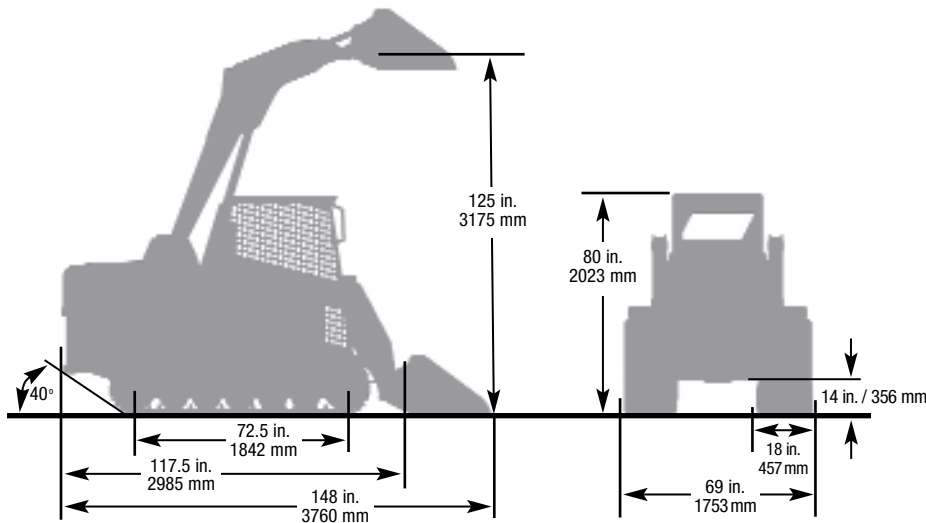
## STANDARD & OPTIONAL EQUIPMENT

### STANDARD

- Air cleaner, dual stage
- Attachment control, electric
- Battery, 950 CCA
- DC Outlet, 12V
- Fuel gauge
- Hitch receiver
- Gauges: tachometer, engine temperature, fuel level
- Lap bar/arm rest
- Pilot joystick controls
- ROPS/FOPS canopy w/poly roof panel
- Quick-connect hydraulic fittings
- Wiring, prewired for all options
- Alternator, 85-amp
- Auxiliary hydraulic system
- Brake, parking
- Diesel engine, turbocharged
- Heater, engine block
- Tracks, general purpose
- Indicators: engine oil pressure, hot hydraulic oil, low battery voltage
- Operator presence switch
- Power management system
- Quick-attach, hydraulic
- Suspended undercarriage

### OPTIONAL

- Air conditioner / heater
- Beacon, rotating
- Bucket positioning, selectable
- Cab filtration kit
- Forestry guard package
- Heater
- Quick-attach, manual
- Wiper, door
- Back-up alarm
- Brush guard, medium-duty
- Cab enclosure with A/C, heater insulation and wiper
- Front door, polycarbonate
- Horn
- Window kit, side, sliding



## PT-100 SPECIFICATIONS & DIMENSIONS

### WEIGHTS:

Operating weight:	10,150 lb. / 4604 kg.
Shipping weight, w/out bucket:	9,200 lb. / 4173 kg.
Ground pressure @ operating weight:	3.8 psi / 26.7 kPa
Ground pressure @ shipping weight:	3.5 psi / 24 kPa

### TRACKS:

Track width:	18 in. / 457 mm
Track length, on ground:	72.5 in. / 1842 mm
Ground contact area:	2,610 in <sup>2</sup> / 1.68 m <sup>2</sup>

### AUXILIARY HYDRAULICS:

Low flow, maximum:	20 gpm / 76 lpm
High flow, maximum:	38 gpm / 144 lpm
Pressure:	3,300 psi / 22 737 kPa

### ENGINE:

Type:	Perkins 1104C-44T, diesel, turbocharged
Displacement:	268 in. <sup>3</sup> / 4.4 L
Gross power @ 2300 rpm:	99.5 hp / 74 kW
Torque, peak:	304 ft-lb / 412 Nm

### OPERATING SPECIFICATIONS:

Tipping load:	7,600 lb. / 3447 kg
Operating capacity 50% tip load**:	3,800 lb. / 1724 kg
Operating capacity 35% tip load**:	2,660 lb. / 1207 kg
Travel speed, (low/high) maximum:	6/11.5 mph / 9.7/18.5 kph

### SERVICE REFILL CAPACITIES:

Fuel tank:	26 gal. / 98 L
Hydraulic tank:	20 gal. / 76 L
Engine coolant:	3.125 gal. / 12 L
Engine oil, inc. filter:	8.8 qts. / 8.3 L

\*\* SAE J818 standards define operating capacities of rubber-tired skid steers (50% tipping load) and tracked loaders (35% tipping load). There are no standards defining the operating capacity of machines equipped with a suspended undercarriage or machines with rubber tracks.

Machines featured in photos may include additional equipment.

Specifications are subject to change without notice.