



S130

Skid-Steer

Loader



Left Side Standard Instrument Panel



Right Side Standard Instrument Panel



Optional Deluxe Instrument Panel

One Tough Animal

Bobcat® S130 Skid-Steer Loader

Specifications

Performance

Rated Operating Capacity¹
 ROC with optional counterweight
 Tipping Load
 Hydraulic Pump Capacity
 Travel Speed
 Operating Weight

S130

1300 lb. (590 kg)
 1400 lb. (635 kg)
 2600 lb. (1179 kg)
 16.9 GPM (64.0 L/min)
 7.3 MPH (11.7 km/hr.)
 4740 lb. (2150 kg)

Dimensions

Length (with bucket)
 Width (with bucket)
 Height
 Height to Bucket Pin

120.5 in. (3059 mm)
 62.0 in. (1575 mm)
 77.0 in. (1956 mm)
 109.1 in. (2771 mm)

Engine

Make/Model
 Fuel/Cooling
 Cylinders
 SAE NET HP/Displacement
 Fuel Tank Capacity

Kubota V2203-DI
 Diesel/Liquid
 4
 46/134 in.³ (2.2 L)
 14 gal. (53 L)

Operation

Steering and Drive

Forward, reverse, travel speed and steering controlled by two hand levers.

Hydraulics

Raise/lower lift arms and dump/rollback bucket controlled by two foot pedals or optional hand controls.

Transmission

Hydrostatic, four-wheel drive.

Standard Features

Adjustable Cushion Seat	Hydraulics
Automatically Activated	Front & Rear Lights
Glow Plugs	Lift Arm Support
Bobcat Interlock Control	Meters/Gauges/
System (BICS™)	Warning Lights
Bob-Tach™	Parking Brake
Deluxe Cab	Seat Bar
Dual Path Cooling	Seat Belt
System	Spark Arrestor Muffler
Engine/Hydraulic	10-16.5 Standard
Shutdown	Duty Tires
Front Auxiliary	

Options/Accessories

Advanced Control System (ACS)	Hydraulic Bucket Positioning ²
Attachment Control Kit	Keyless Start System
Backup Alarm	Power Bob-Tach™
Bobcat Heavy-Duty Tires	Rear Auxiliary
Bobcat Heavy-Duty Offset Tires	Hydraulics
Bobcat Poly-Fill Tires	Ride Control
Bobcat Severe-Duty Tires	Service Safety Training Kit
Bobcat Super Float Tires	Side Windows
Cab Enclosure w/Heater	Skid-Steer Loader
Catalytic Purifier	Operator Training Kit
Gold Package Option	Sound Package
Counterweight Kit	Special Applications Kit ³
Deluxe Instrument Panel	Suspension Seat (Vinyl or Cloth Cover)
Flasher/Strobe Lights	Water Kit
Horn	

The Attractively-Priced Bobcat S130 Skid-Steer Loader

The S130 is a smart way to move into the popular Bobcat line of skid-steer loaders. The machine offers top value for your money. It has a turning radius of 6 feet and a rated operating capacity of 1300 pounds, along with features such as heavy-duty drive chains that never need adjustment, removable axle hubs for quick, easy servicing and a dual-path cooling system that cools with debris-free air. The S130 also works with a wide variety of Bobcat attachments, and sells for a very attractive price.

The Multi-Purpose Bobcat S130 Skid-Steer Loader

A hard-working machine, the S130 is loaded with time-saving, money-saving features. Here are just a few:

- Great balance of power and maneuverability.
- Choice of seven bucket styles and more than 30 other attachments.
- Bobcat Interlock Control System (BICS)™ is standard.
- Operator-friendly cab.

Greater Comfort

The cab is designed with the operator in mind, for optimum comfort and functionality. And with a wider opening, it's easy to enter and exit.

The seat bar pivots from the rear, providing secondary restraint protection as well as a comfortable armrest for operators of all sizes. Plus, the worklight design doubles the amount of illumination to the work area for better operation in low light.

The S130 also features an easy-to-read, highly functional instrument panel, along with a number of improved comfort options.

S130

1300 LB.

Rated Operating Capacity

109.1 IN.

Lift Height

46 HP

Turbo-Cooled, Kubota Diesel Engine

Optional Deluxe Instrument Package includes:

- Multi-language capability
- System diagnostic capability
- All gauges read in metric or English units
- Keyless start security
- Job clock
- Real-time clock
- Help screens

NOTE — Where applicable, dimensions are in accordance with Society of Automotive Engineers (SAE) and ISO standards. Specifications and design are subject to change without notice. Pictures of Bobcat loaders may show other than standard equipment. All dimensions are given for loader equipped with standard tires. All dimensions are shown in inches. Respective metric dimensions are enclosed by parentheses. Bobcat Company complies with the requirements of ISO 9001 as registered with BSI.

A - 10-16.5 Tires - 60.3 in. (1524 mm) or 54 in. (1372 mm) with inset rims. 31.5 x 13-16.5 - 60 in. (1524 mm)

B - 10-16.5 Tires - 50.3 in. (1278 mm) or 44 in. (1118 mm) with inset rims. 31.5 x 13-16.5 - 46.3 in. (1176 mm)

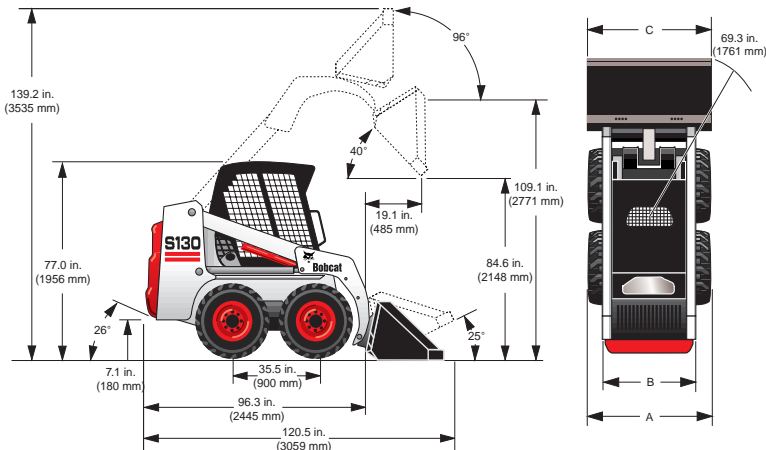
C - 54 in. Bucket Width - 55.0 in. (1398 mm) 62 in. Bucket Width - 62.0 in. (1575 mm)

¹ Operating capacity rated with standard digging bucket according to SAE standard J818 - OPERATING CAPACITY TO EQUAL NO MORE THAN ONE-HALF THE TIPPING LOAD.

² Bucket positioning helps operator keep the same tilt of the load during lifting.

³ Includes Lexan front door, top and rear windows.

⁴ Special application kit (see #3) must be used.



Bobcat Attachments for this model:

- Angle Broom*
- Auger
- Backhoe
- Brushcat Rotary Cutter
- Brush Saw
- Bucket
- Chipper*
- Combination Bucket
- Concrete Mixer*
- Cutter Crusher*
- Digger
- Dozer Blade*
- Dumping Hopper
- Farm Grapple (for use with utility fork or bucket)
- Front Scarifier
- Grader*
- Hydraulic Breaker†
- Hydraulic Pallet Fork
- Industrial Grapple
- Landplane
- Landscape Rake
- Mower
- Pallet Fork
- Planer*
- Rear Stabilizer
- Scarifier
- Scraper
- Seeder
- Snow Blade
- Snow V-Blade*
- Snowblower*
- Sod Layer*
- Soil Conditioner*
- Spreader
- Sweeper
- Three-Point Hitch
- Tiller
- Tilt-Tatch
- Tracks
- Trench Compactor
- Trencher
- Utility Fork
- Vibratory Roller
- Water Kit
- Whisker
- Push Broom